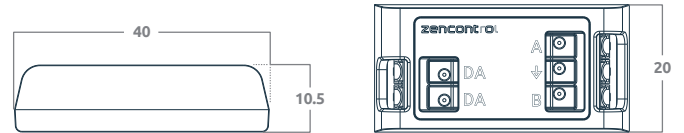
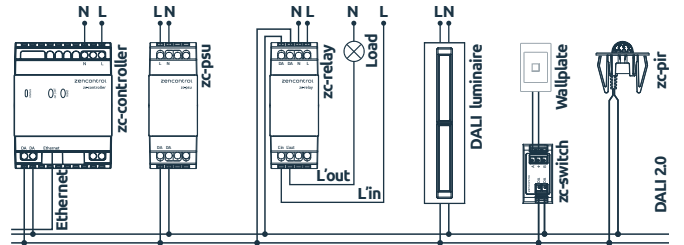


### Dimensions

Dimensions 40 / 20 / 10.5 mm



### System overview



### Product range

Order code	Description
<b>zc-switch</b>	DALI-2 switch module, 2 configurable I/O

### Specifications

<b>Supply voltage</b>	9.5 - 22.5 V dc (supplied from DALI)
<b>Control system</b>	DALI-2
<b>Supply current</b>	5 mA
<b>Input</b>	2 floating dry contacts Note: Any switch used shall be LV rated
<b>Output</b>	FELV 3.3 V logic level output, max. current 1 mA
<b>Wiring</b>	0.5 - 0.75 mm <sup>2</sup> Strip 6 - 7 mm
<b>Operating temperature</b>	0 to 45°C
<b>Material</b>	PC
<b>Ingress protection</b>	IP20

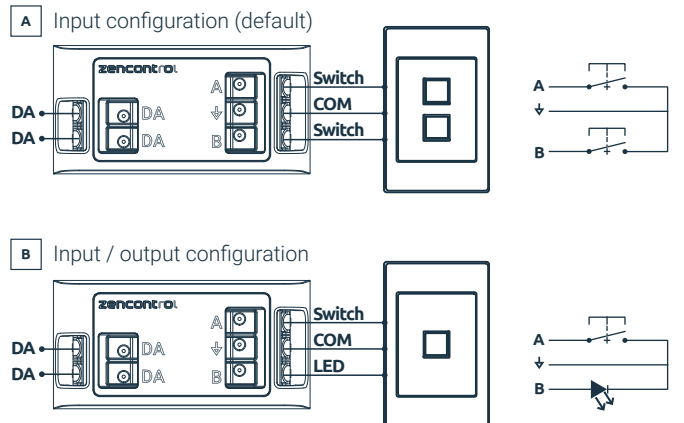
### Installation

Remove the product from the box and inspect it for any damage. If you believe the product to be damaged or otherwise unsound, **do not** install the product. Please pack it back into its box and return it to the place of purchase for replacement.

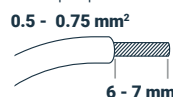
If the product is satisfactory, proceed with the installation:

- 1 Ensure safety warnings are adhered to.
- 2 Connect the two DALI terminals to the DALI line ensuring wiring regulations are followed. DALI is not polarised. DALI is not SELV and as such must be treated as LV. **Do not connect the switch to any mains voltages.**
- 3 Connect the momentary switch(es) to the floating contact inputs (A/B). Only connect one momentary switch per input. **Do not** connect momentary input to mains voltage.
- 4 Install switch behind the wall-plate or mounting enclosure for momentary switch. **Note** default configuration is A/B input. Configuration dependant on DALI-2 application controller.

### Wiring diagram



Wire preparation



### Safety information

- This product must only be installed by a licensed electrician.
- Before commencing installation turn off and isolate the electrical supply.
- There are no user serviceable parts, attempting to service any part of the product will void the warranty
- The switch must not be connected to any mains. It is powered directly from the DALI line.
- DALI is not SELV and as such should be treated as LV.
- As the installer, it is your responsibility to ensure you comply to all relevant building and safety codes. Refer to application standards for the relevant rules.
- When the installation is complete, leave this manual with the building's owner for future reference.
- The installer must protect against accidental contact, all terminals are not safe to touch.
- There is no isolation between the control terminals and supply. Outputs should be treated as LV.

## Notice

---



For more information  
on compliant software  
see our website  
**zencontrol.com**

---